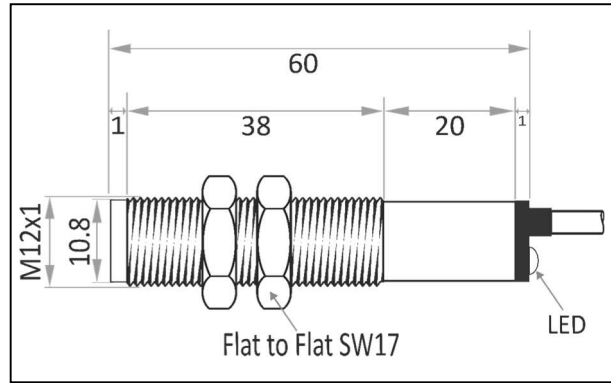
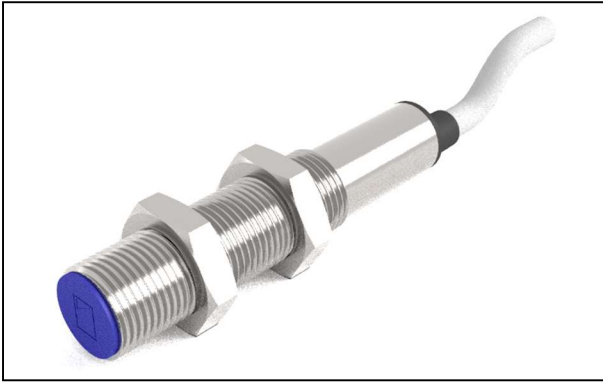


Inductive Proximity Sensors

M12 | 2mm | NC | 200mA | 2 Wire

Ordering Code: A20C-1202-B-2



ACCENT CONTROLS

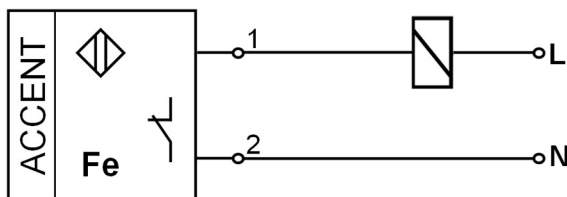
Technical Specifications

Cylindrical Metal Housing Diameter/Pitch (mm)	M12 / 1
Installation	Flush
Rated Operating Distance (Sn)	2 mm
Actual Sensing Distance (Sa)	1.6 mm
Minimum Target size (min)	12 x 12 x 1 mm
Repeat Accuracy	≤ 10% mm
Hysteresis	≤ 15% of Sn
Operating Voltage	40 - 250V AC
Supply Frequency	50 Hz
Output Circuit Type	Normally Closed
Max. Load Current (On state)	≤ 200 mA
Current Consumption (No Load)	< 10 mA
Residual Current	< 3.5 mA
Switching Frequency	25 Hz
O/P status Indicator	Red LED
Voltage Drop	≤ 6V
Correction factor - Brass / Al	0.5 / 0.4
Operating Temperature Range	-10°C to 70°C
Temperature Drift	≤ 10% of Sn
Environmental Protection	IP67
Housing Material	Nickel Plated Brass

Electrical Connections

Termination

2 meter Prewired 2-Core PVC Cable (2 x 0.44mm²)



Wire Colour Coding:

1. RED : Live
2. BLACK : Neutral